

## Instructions of Safety and Warnings:

- Any failure to comply with the safety and installation instructions in this manual may cause serious bodily injury.
- Overlooking any part of the instructions, warnings and additional information marked with the "Note" and "⚠" may result in serious damage to the system or its components.
- Children should never be allowed to operate or touch the product without direct supervision of an adult. Users should prevent children from being near or around the desk during operation.
- Disabilities and/or lack of experience and knowledge should be prevented from using the product unless under supervision or assisted during use and operation.
- Never sit on or exceed the rated weight of the desk.



### Electrical Safety Instructions:

The product is powered by electricity. In order to avoid burns, fire and electric shock, please read the instructions carefully.



Don't clean the product with water while the power is still connected.



Never operate the system if it's in moist environment or its electrical components have contact with liquids.



Don't disassemble or replace components while the power is still connected.



Don't operate the system if the control box makes noise or odor. Alterations of the given power unit and control box aren't allowed.



Never operate the system with a damaged cord or plug. Please contact your point of purchase to replace the damaged parts.



### Other Safety Instructions:

- Remove any obstacles from the area around the desk during assembly and subsequent use.
- Organize all cords and wires to prevent any possible tripping or accidents from occurring.
- Never attempt to modify or change the desk frame or components that operate the desk.
- Don't add anything to the adjustable junctions of the desk frame.
- The desk is rated for Indoor Use Only.

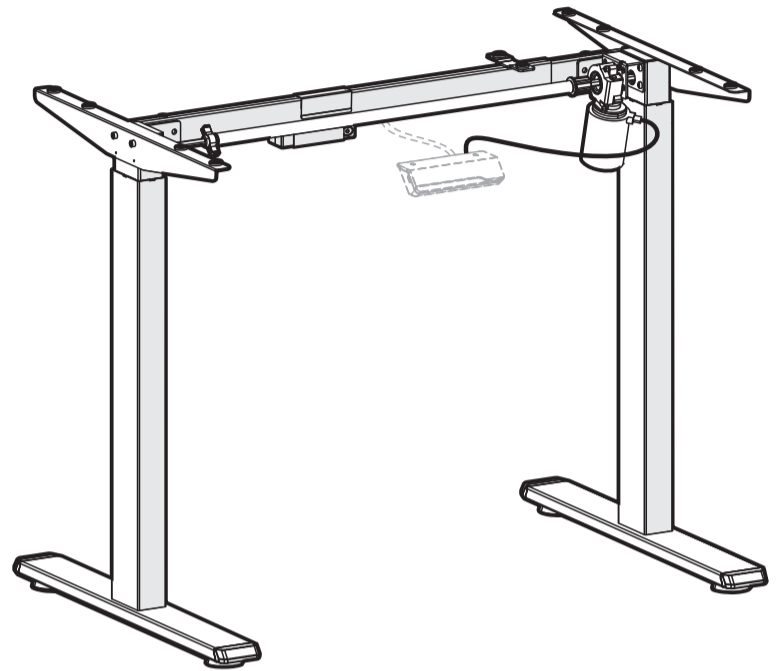


**Disposal:** The product with this mark indicates that this product shouldn't be disposed with other household wastes throughout the EU. To prevent possible harm to the environment or human health from uncontrolled waste disposal, recycle it responsibly to promote the sustainable reuse of material resources. To return your used device, please use the local recycle service or contact your point of purchase to withdraw the product.

# ELECTRIC SIT-STAND DESK

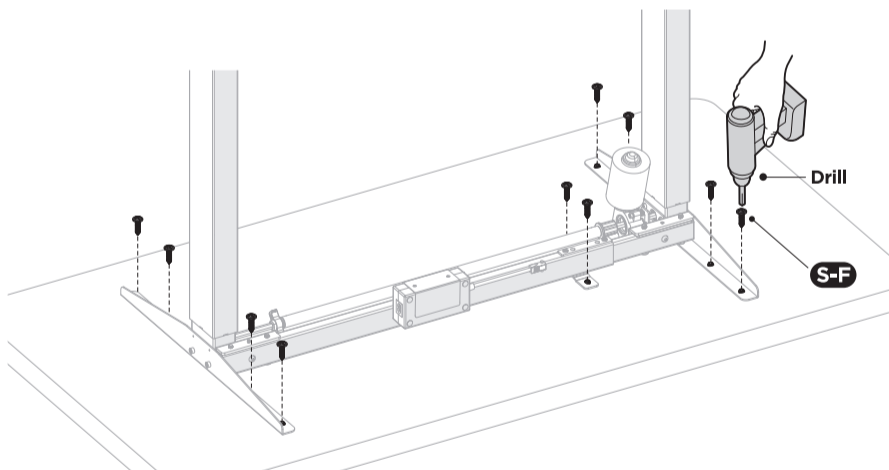
## Instruction Manual

S08-22D



### 7. Drilling to the Desktop

- Attaching the assembled desk frame to the desktop through the mounting holes found on the Side Brackets and Crossbar as shown in the illustration using **10 ST4.2x16 Screws S-F**.

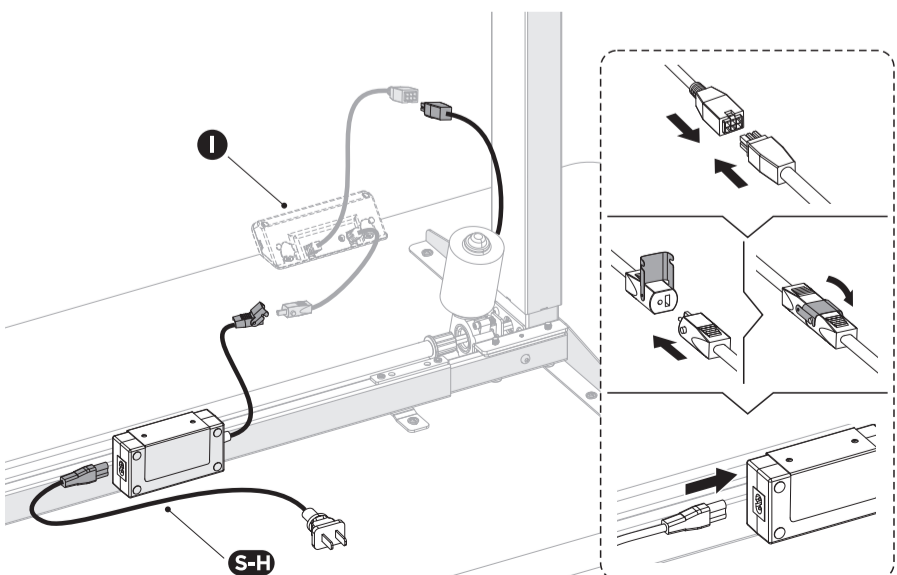


### 8. Connecting Cords and Attaching the AC Adapter

- Connect the **Controller 1** with the **AC Adapter 2** and motor as shown.
- Insert the **Power Plug S-H** into the **AC Adapter**.

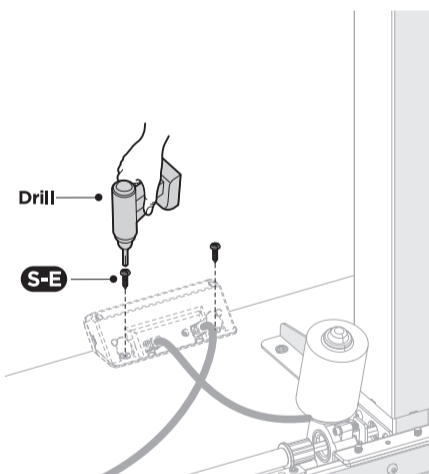
**Note:**

- Do not plug into the power before the desk is fully assembled.



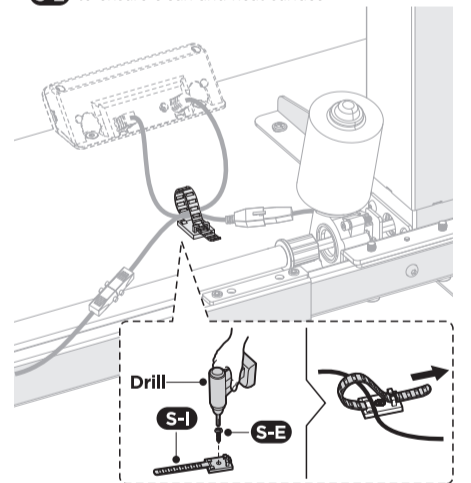
### 9. Attaching the Controller

- Attach the **Controller 1** to the desktop using **2 ST3.5x13 Screws S-E**.



### 10. Cable Management

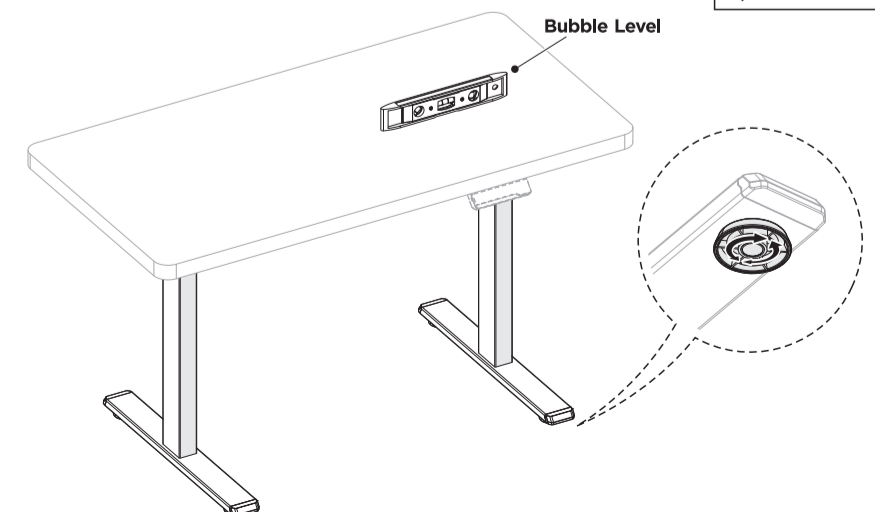
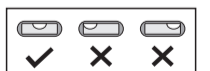
- Run the cables through the **Cable Clips S-I** and attach the **Cable Clips** to the desktop with **ST3.5x13 Screws S-E** to ensure clean and neat surface.



### 11. Adjusting the Desk

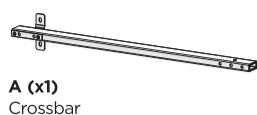
- Turn over the desk with the help of another person.
- There are two adjustable foot pads under each foot. If the floor isn't even, simply turn the pad to adjust the level to make the desk stable.
- Tip:** Use a bubble level (not included) to check if the desktop is even.
- Using the desk for the first time, you will need to **reset the system**. Please refer to **Digital Control Panel User Guide**.

**CAUTION:** At least two people are required when turning over the desk, or serious bodily injuries might occur.

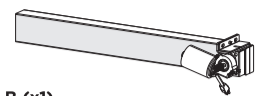


## Checklist and Installation

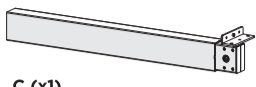
Please check all of the components shown in the component checklist. If any of the components are missing or damaged, contact your point of purchase for a replacement.



**A (x1)**  
Crossbar



**B (x1)**  
Lifting Column



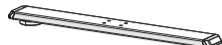
**C (x1)**  
Lifting Column



**D (x2)**  
Side Bracket



**E (x1)**  
Sync Rod



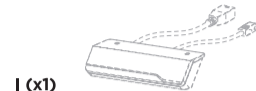
**F (x2)**  
Foot



**G (x1)**  
AC Adapter



**H (x1)**  
Adapter Holder



**I (x1)**  
Controller  
*The picture of the controller is for your reference only. Actual product may vary.*



**S-A (x4)**  
M5x14  
Hex Head Screw



**S-B (x2)**  
M6x25  
Hex Head Screw



**S-C (x8)**  
M6x30  
Hex Head Screw



**S-D (x4)**  
M6x50  
Hex Head Screw



**S-E (x5)**  
ST3.5x13  
Phillips Head Screw



**S-F (x10)**  
ST4.2x16  
Phillips Head Screw



**S-G (x10)**  
Anti-Vibration Pad



**S-H (x1)**  
Power Plug



**S-I (x3)**  
Cable Clip



**S-J (x1)**  
4mm  
Allen Wrench

What important specifications should know before installation?



Power Input  
(100-240V)



Operation Temperature  
(-5°C~+40°C)



Weight Capacity  
80kg (176lbs)

What tools are needed to assemble the desk frame?



Bubble Level



Allen Wrench  
(Included)



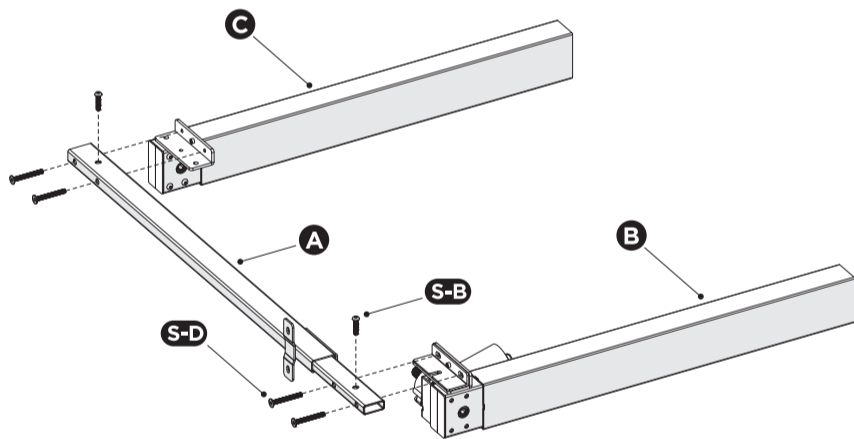
Drill



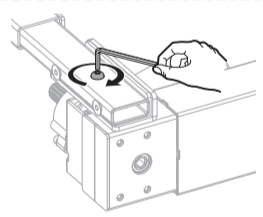
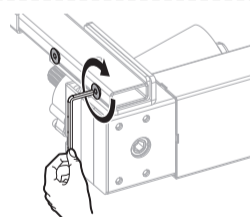
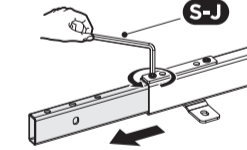
Phillips Screwdriver

### 1. Attaching the Crossbar

- Attach the **Crossbar A** to the **Lifting Columns B / C** using **4 M6x50 Screws S-D** and **2 M6x25 Screws S-B** as shown in the illustration.

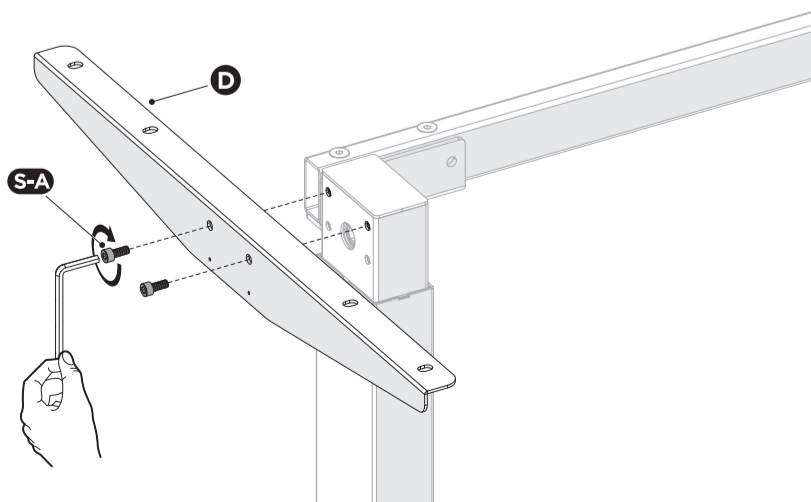


Loosen the hex head screws that fix the adjustable junction, but don't completely take out the screws.



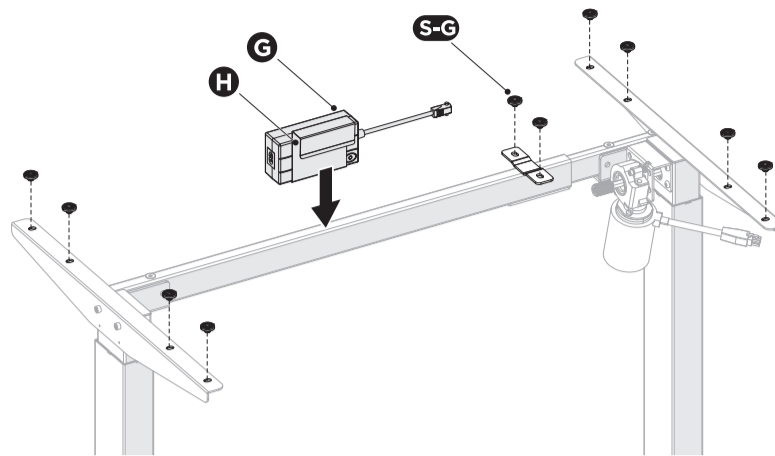
### 2. Attaching the Side Brackets

- Attach each **Side Bracket D** to the **Lifting Column** using **2 M5x14 Screws S-A**.
- Repeat the same process to attach the other side bracket.



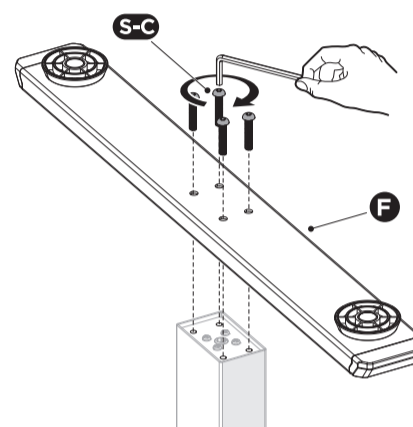
### 3. Attaching the Anti-Vibration Pads and AC Adapter

- Turn over the desk frame with the crossbar facing up.
- Hang the **Adapter Holder H** on the crossbar as shown, then put the **AC Adapter G** into it.
- Attach the **Anti-Vibration Pads S-G** to the surface of the crossbar on the ten positions as shown.



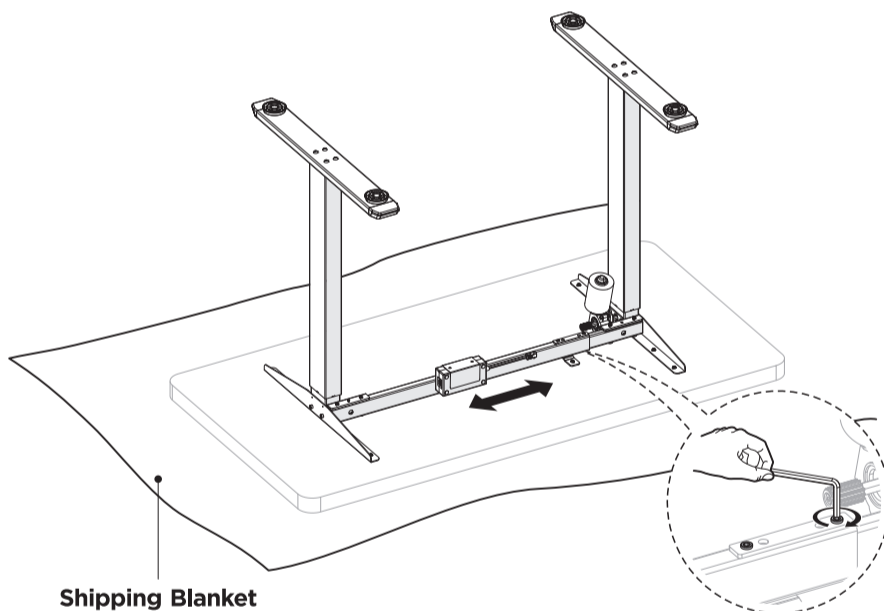
### 4. Attaching the Feet

- Place the **Lifting Column B / C** upside down on the floor.
- Attaching the **Foot F** to the **Lifting Column** using **4 M6x30 Screws S-C**.
- Repeat the same process to attach the other foot.



### 5. Adjusting the Frame

- Carefully place the desktop (not included) upside down on the blanket/floor.
- Place the legs one on each side of the top as shown below.
- Adjust the crossbar to the size of the desktop. Ensure that the frame is placed in the center of the desktop.
- Tighten the screws on the crossbar.



### 6. Attaching the Sync Rod

- Turn the knob as shown to loosen and adjust the **Sync Rod E**.
- Insert both ends of **Sync Rod E** into holes found on the desk frame as shown in the illustration.
- Re-tighten the knob.

